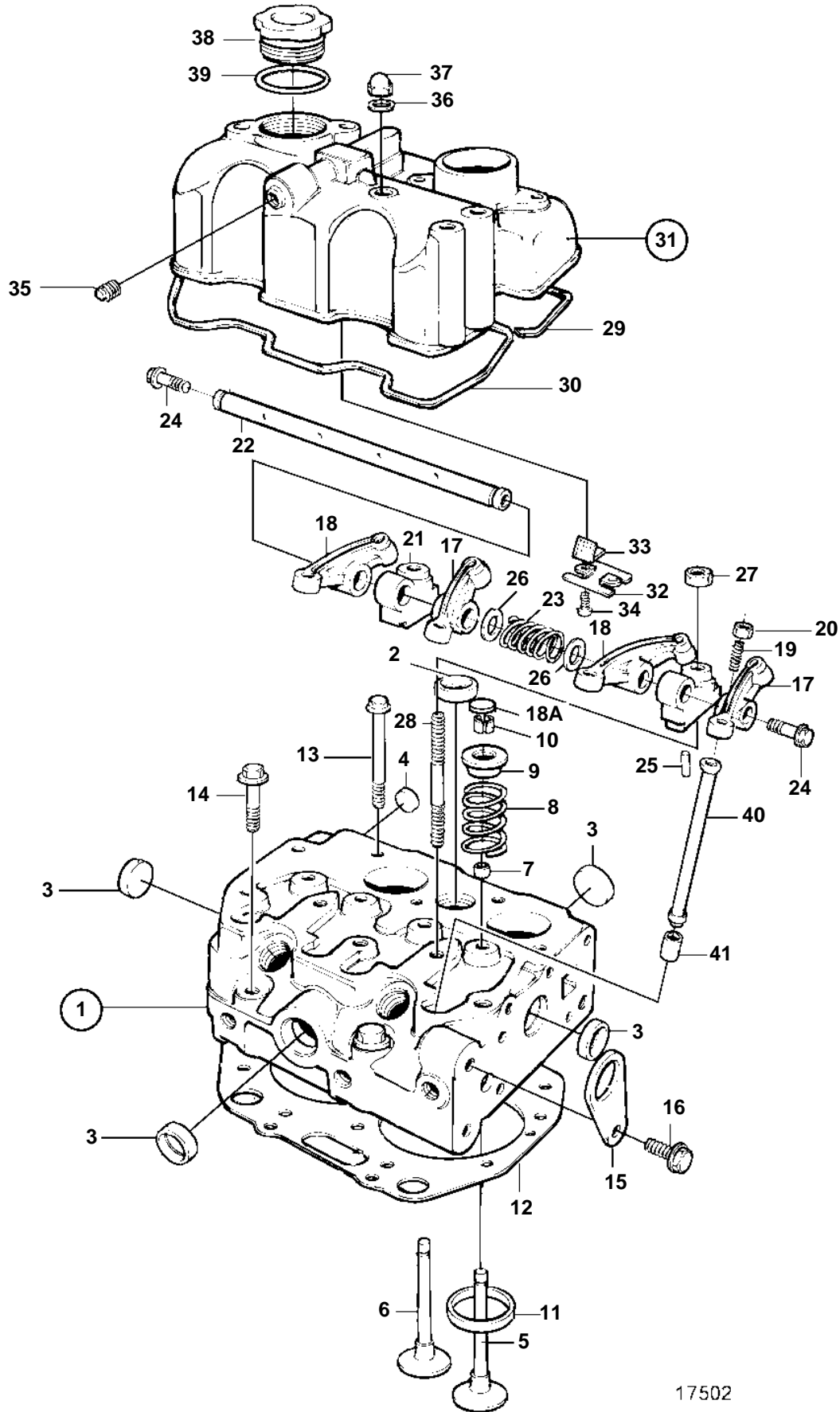


MD2010C, MD2010D



17502

MD2010C, MD2010D

| REF | PART NO. | QTY | DESCRIPTION | NOTES |
|-----|----------|-----|-----------------------|------------|
| 1 | 861856 | 1 | Cylinder head | |
| 2 | 861802 | 1 | · Plug | |
| 3 | 861857 | 4 | · Plug | |
| 4 | 3807215 | 3 | · Plug | (3580456) |
| 5 | 861858 | 2 | · Inlet valve | |
| 6 | 861859 | 2 | · Exhaust valve | |
| 7 | 861860 | 4 | · Valve stem seal | |
| 8 | 861861 | 4 | · Valve spring | |
| 9 | 861862 | 4 | · Valve spring washer | |
| 10 | 861863 | 8 | · Valve cone | |
| 11 | 861864 | 2 | · Valve seat | |
| 12 | 861865 | 1 | Gasket | TH = 0,6mm |
| 13 | 861866 | 8 | Flange screw | |
| 14 | 861867 | 2 | Screw | |
| 15 | | 1 | Lifting eye | |
| 16 | 861870 | 1 | Screw | |
| 17 | 3581291 | 2 | Rocker arm | |
| 18 | 3581292 | 2 | Rocker arm | |
| 18A | 3581293 | 4 | Valve cap | |
| 19 | 861877 | 4 | Adjuster screw | |
| 20 | 861878 | 4 | Nut | |
| 21 | 3582684 | 2 | Bracket | |
| 22 | 861880 | 1 | Rocker arm shaft | |
| 23 | 861881 | 1 | Spring | |
| 24 | 861886 | 2 | Plug | |
| 25 | 861882 | 1 | Tensioning din | |
| 26 | 861883 | 2 | Shim | |
| 27 | 948645 | 2 | Lock nut | |
| 28 | 861885 | 2 | Stud | |
| 29 | 861887 | 1 | Gasket | |
| 30 | 861888 | 1 | Gasket | |
| 31 | 861889 | 1 | Valve cover | |
| 32 | | 1 | · Retainer | |
| 33 | 861891 | 1 | · Filter | |
| 34 | 967949 | 2 | · Screw | |
| 35 | | 1 | · Plug | |
| 36 | 11992 | 2 | Gasket | |
| 37 | 3580241 | 2 | Nut | (861895) |
| 38 | 3583541 | 1 | Oil filler cap | (861896) |
| 39 | 861897 | 1 | O-ring | |
| 40 | 861828 | 4 | Push rod | |
| 41 | 861827 | 4 | Lifter | |